

***Tanaka***

---

**Parts Catalog**

**Hand Held Blower**

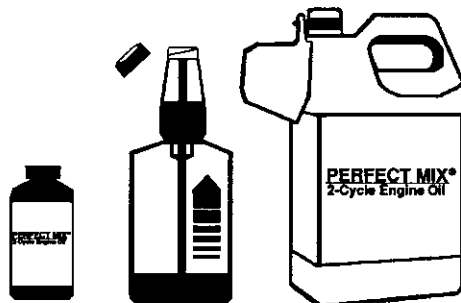
**Model: THB-300**

Part # 12144 11-4-96

# THB-300

## OPTIONS AND ACCESSORIES

### PERFECT MIX® 2-Cycle Engine Oil



- 700109 2.8 oz. Bottle, 1 Gallon Size (24\*)  
700108 16 oz. Self-measuring Bottle (24\*)  
700110 1 Gallon Jug Commercial Size (6\*)  
\* Case Quantity

---

### ACCESSORIES

034-31302-801 Shoulder Strap

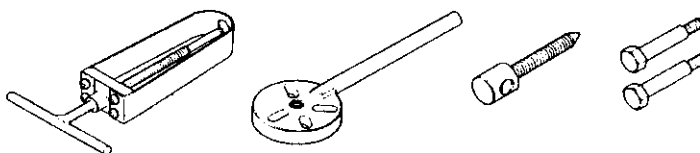
### MANUALS & CATALOGS

12626 Owner's Manual  
12144 Parts Catalog

---

### SPECIAL TOOLS

006-29326-000	Flywheel Remover	001-29000-000	Tachometer
009-29326-000	Piston Pin Remover	070-2000W-500	Pressure Tester
		070-2000W-501	Carb. Tool Kit



**FIG.1 ENGINE**

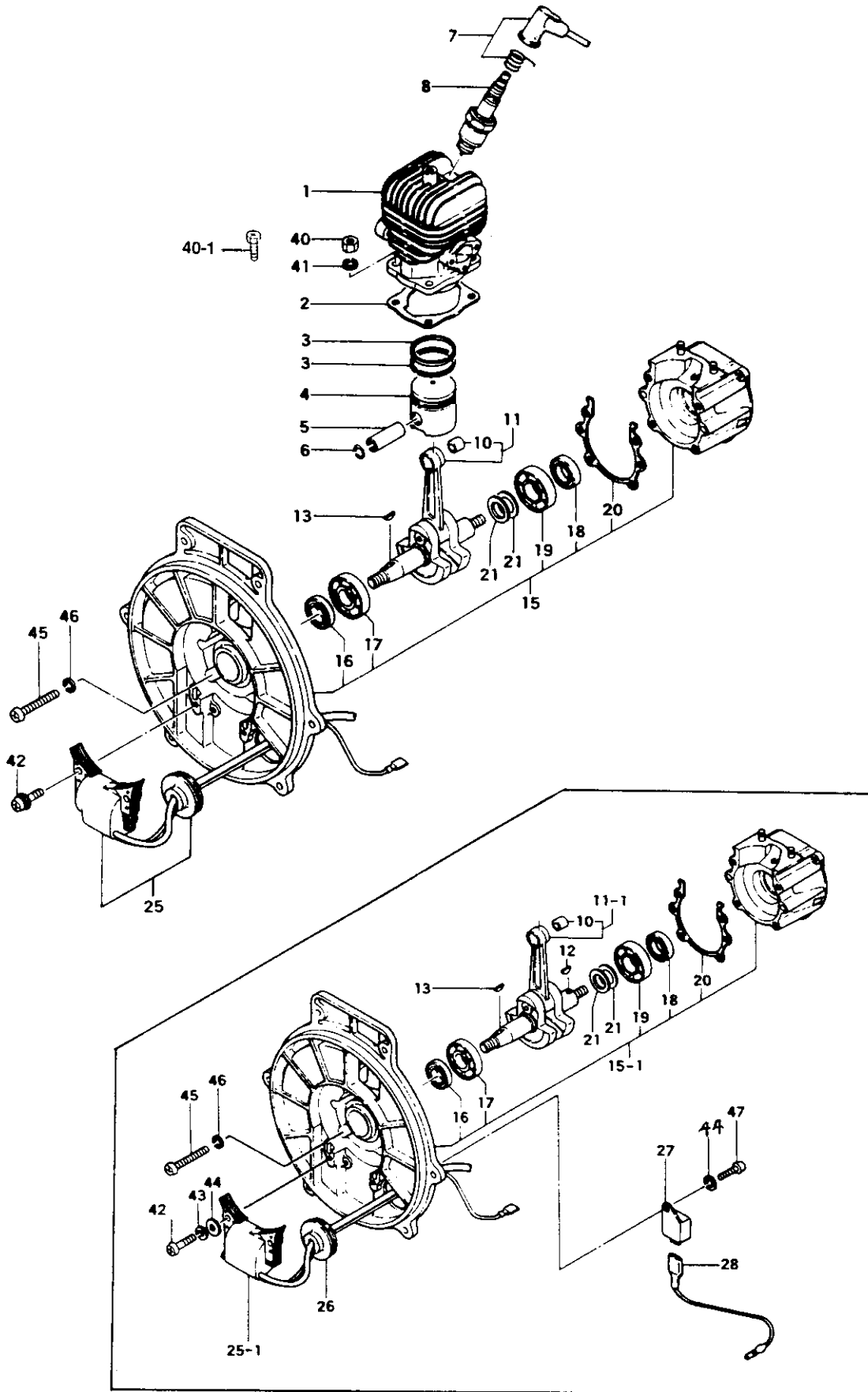


FIGURE 1

## THB-300 PARTS LISTING

REF.	PART NO.	PART DESCRIPTION	Q	C	S	SERIAL NO.	REMARKS
1	002-01251-200	CYLINDER	1		C	~J045880	
1	002-01251-21	CYLINDER	1		C	J045880~	
2	017-01270-20	GASKET,CYLINDER	1		D		
3	041-01000-201	RING,PISTON,LOWER	2		B		
4	031-01400-204	PISTON	1		C		
5	037-01400-200	PIN,PISTON	1		C		
6	039-00000-201	CIRCLIP,PISTON PIN	2		A		
7	157-01570-900	CAP,SPARK PLUG,ASS'Y	1		C		
8	018-02233-200	PLUG,SPARK	1		D		
10	999-62091-325	BEARING,NEEDLE,F-910	1		D		
11-1	046-01250-802	CRANKSHAFT	1		D	~G034550	
11	046-01250-81	CRANKSHAFT	1		D	G034551~	
12	068-00300-200	KEY,WOODRUFF,3X10X3.7	1		B		
13	068-02000-200	KEY,WOODRUFF,3X13X5	1		D		
15-1	072-01251-900	CRANKCASE,ASS'Y	1		D	~D298861	Includes bearings, seals & gasket
15	072-01251-92	CRANKCASE ASSY	1		C	D298862~	Includes bearings, seals & gasket
16	999-66152-511	SEAL,OIL,#VE15X25X7	1		A		
17	999-61620-200	BEARING,BALL,#6202	1		B		
18	999-66122-240	SEAL,OIL,12227	1		A		
19	999-61600-200	BEARING,BALL,#6002	1		B		
20	090-01250-201	GASKET,CRANKCASE	V		D		
21	071-02007-200	SHIM,15.2X20X.05	V		D		
21	071-02007-210	SHIM,15.2X20X.10	V		D		Shims are "as needed" to obtain correct c/s side clearance.
21	071-02007-220	SHIM,15.2X20X.15	V		D		
21	071-11600-230	SHIM,16X21X.20	V		D		
21	071-11600-240	SHIM,16X21X.30	1		D		
25-1	167-21724-800	COIL,IGNITION	1		D	~G034550	
25	167-21956-80	COIL,IGNITION	1		D	G034551~	
26	202-01225-200	GROMMET,SECONDARY CORD	1		D		
27	159-21401-872	IGNITOR,TTI-1F	1		A	~G034550	
28	173-0075G-800	CORD,PRIMARY	1		D	~G034550	
40	991-01050-011	NUT,5	4		A	~J045880	
40-1	990-11050-251	SCREW,5X25	4		D	J045881~	
41	992-10050-012	WASHER,S,5	4		A		
42	994-16040-226	SCREW,WS,4X22	2		D		
44	992-00040-011	WASHER,4	2		B		
45	990-11050-251	SCREW,5X25	4		D		
46	992-10050-012	WASHER,S,5	4		A		
47	990-11040-081	SCREW,4X8	1		C		

\* Indicates the part is included in a kit or assembly and is not available individually. Q=Quantity used C=Interchangeability S=Stocking code: A=Fast moving B=Med. fast C=Med. move D=Slow move E=N.L.A. F=Superseded or replaced by a new part

# FIG.2 ENGINE COMPONENTS

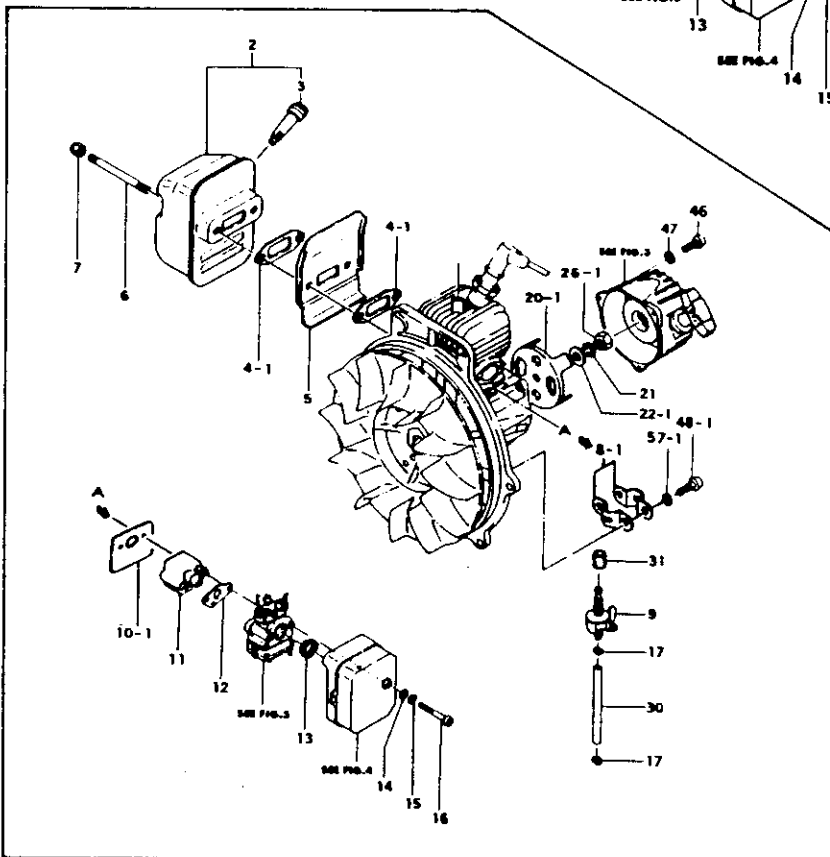
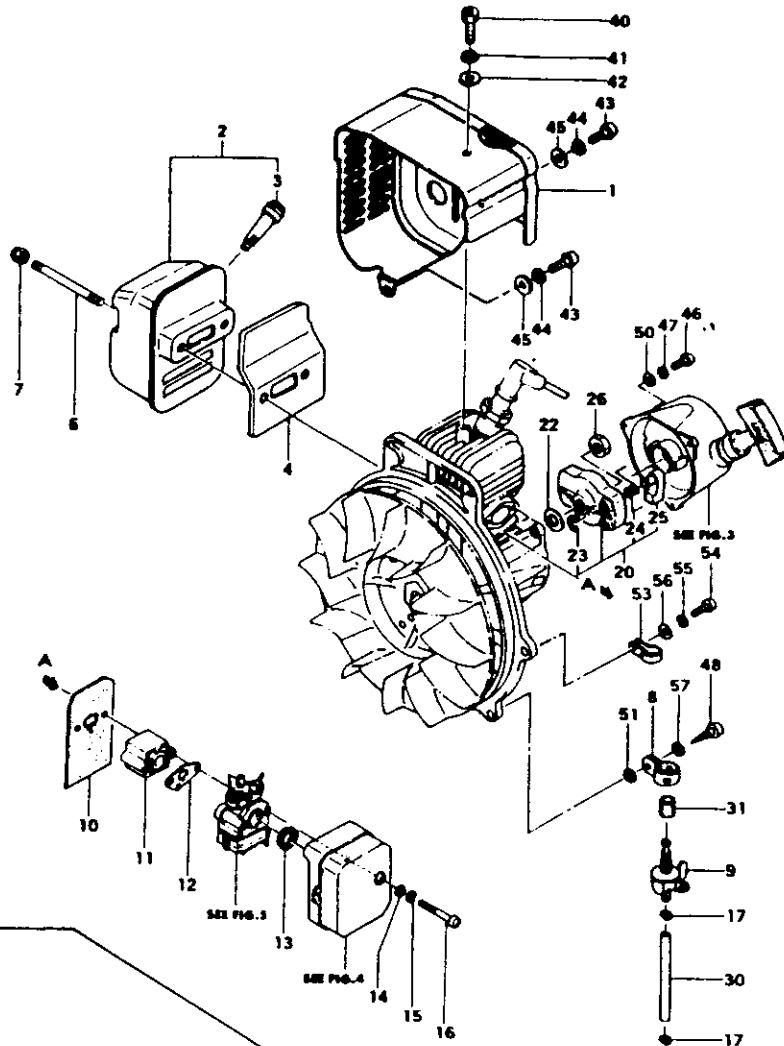


FIGURE 2

## THB-300 PARTS LISTING

REF.	PART NO.	PART DESCRIPTION	Q	C	S	SERIAL NO.	REMARKS
1	738-01253-803	PROTECTOR,MUFFLER	1		D		
2	705-01238-901	MUFFLER,ASS'Y	1		D		
3	732-04001-800	ARRESTER,SPARK	1		C		
4-1	737-01225-210	GASKET,MUFFLER	2		D	~J045880	
4	737-01253-201	GASKET,MUFFLER	1		C	~N214960	
4	737-01253-20	GASKET,MUFFLER	1		D	N214961~	
5	133-01253-201	SHIELD,HEAT	1		D	~J045880	
6	100-12119-200	BOLT,STUD,6X70	2		D		
7	991-74060-010	NUT,6	2		D		
8-1	662-01251-210	STAY,PET-COCK	2		D	~D298861	
8	662-01251-220	STAY,PET-COCK	1		D	D298862~	
9	592-06020-901	PET-COCK,ASS'Y	1		D		
10	403-01251-220	GASKET,INLET MANIFOLD	1		D		
11	404-01251-200	INSULATOR,CARBURETOR	1		D		
12	402-0602K-21	GASKET,CARBURETOR	1		B		
13	431-0602K-200	GASKET,CLEANER	1		C		
14	992-01050-011	WASHER,5	2		A		
15	992-10050-012	WASHER,S,5	2		A		
16	990-11050-701	SCREW,5X70	2		C	~J045880	
16	990-11050-702	SCREW,5X70	2		D	J045881~	
17	680-04019-210	CLIP,7	2		B		
20-1	774-01250-200	PULLEY,STARTER	1		D	~G034550	
20	798-0162V-90	PULLEY,STARTER,ASS'Y	1		C	~N001000	
20	798-0166R-90	PULLEY,STARTER,ASS'Y	1		D	N001001~	
21	992-10070-012	WASHER,S,7	1		D		
22-1	992-01070-011	WASHER,7	1		D	~G034550	
22	359-10112-203	WASHER,CLUTCH B	1		A	G034551~	
23	993-55005-000	RING,STOP,5	1		C		
24	790-0162V-200	SPRING,PAWL,STARTER	1		D	G034551~	
25-1	788-0162V-20	PAWL,STARTER	1		C	~N001000	
25	788-0138A-20	PAWL,STARTER	1		D	N001001~	
26-1	066-00000-200	NUT,FLYWHEEL	1		D	~G034550	
26	991-01080-011	NUT,8	1		B	G034551~	
30	700-13507-160	PIPE,FUEL,3.5X7X150	1		D		
31	700-18012-017	PIPE,RUBBER,8X12X17	1		D		
40	990-23050-101	BOLT,5X10	1		D		
41	992-10050-012	WASHER,S,5	1		A		
42	992-01050-011	WASHER,5	1		A		
43	990-11050-121	SCREW,5X12	2		A		

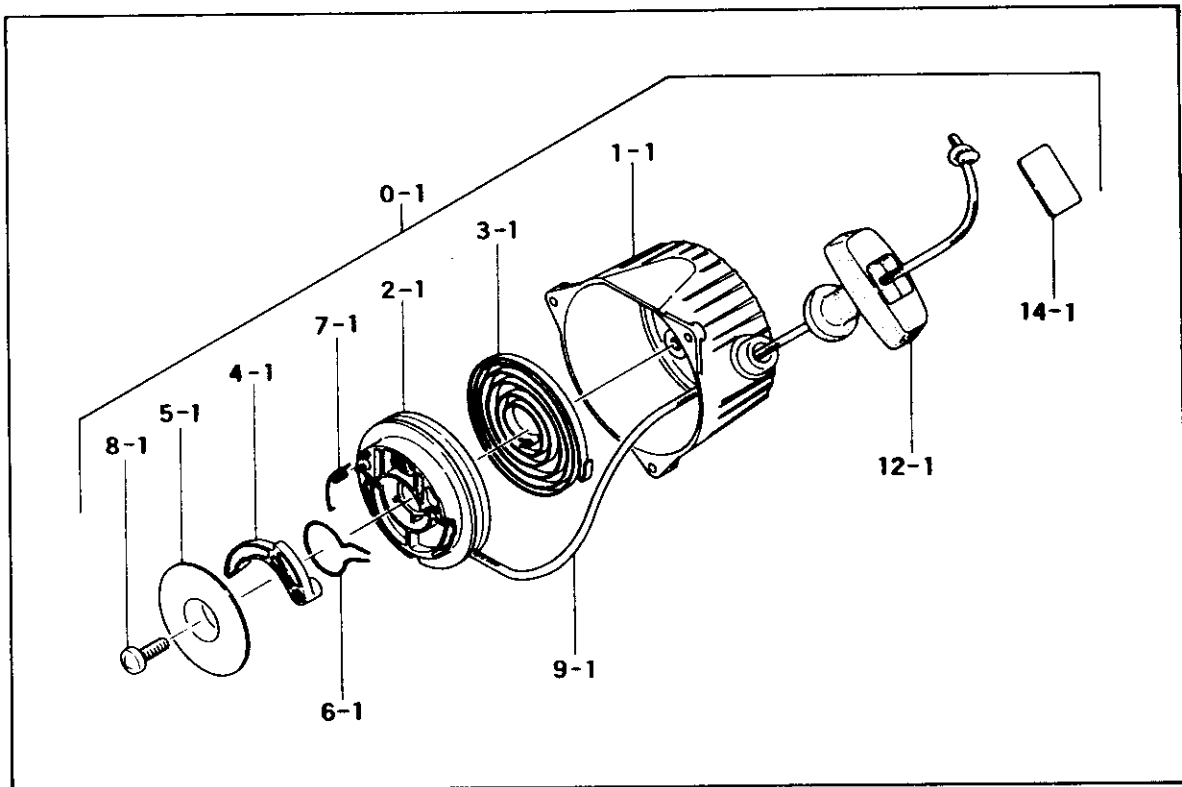
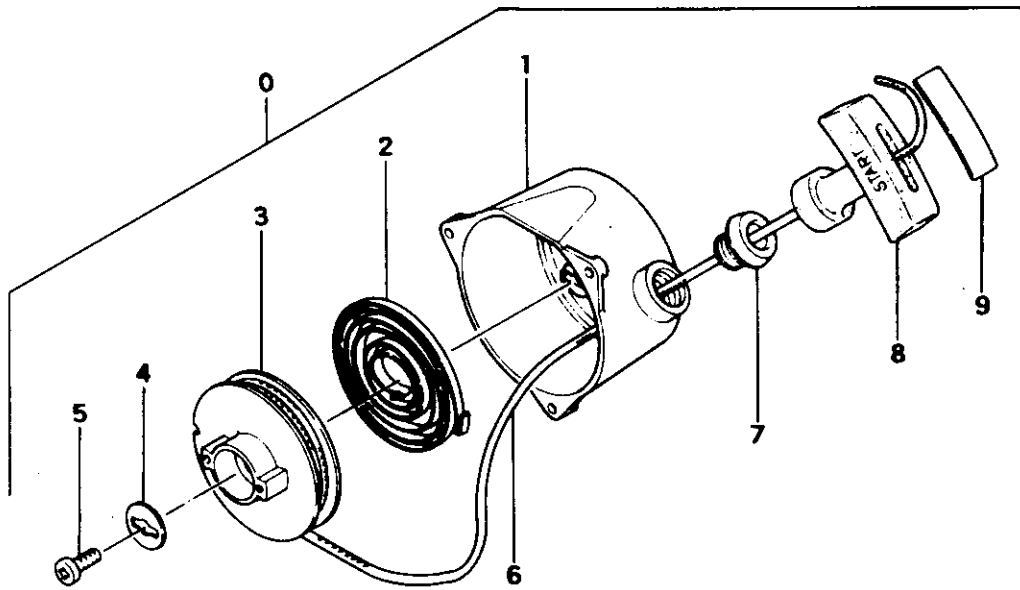
\* Indicates the part is included in a kit or assembly and is not available individually. Q=Quan. used  
C=Interchangeability S=Stocking code: A-Fast moving B=Med. fast C=Med. move D=Slow move  
E=N.L.A. F=Superceded or replaced by a new part

THB-300 PARTS LISTING

REF.	PART NO.	PART DESCRIPTION	Q	C	S	SERIAL NO.	REMARKS
44	992-10050-012	WASHER,S,5	2		A		
45	992-01050-011	WASHER,5	2		A		
46	990-11040-121	SCREW,4X12	3		B	~G034550	
46	990-11040-141	SCREW,4X14	3		B	~J045880	
46	990-11040-161	SCREW,4X16	3		A	J045881~	
47	992-10040-012	WASHER,S,4	3		B		
48-1	990-11050-121	SCREW,5X12	1		A	~K080211	
48	993-41040-151	SCREW,4X15	1		C	K080212~	
50	992-00040-011	WASHER,4	3		B	G034551~	
51	992-20040-010	WASHER,INNER TOOTHED	1		D	K080212~	
53	198-00701-201	CLAMP,CORD	1		D	J045881~	
54	990-11050-201	SCREW,MX20	1		D	J045881~	
55	992-10050-012	WASHER,S,5	1		A	J045881~	
56	992-01050-011	WASHER,5	1		A	J045881~	
57-1	992-10050-012	WASHER,S,5	2		A	~J045880	
57	992-01040-011	WASHER,4	1		C	J045881~	

\* Indicates the part is included in a kit or assembly and is not available individually. Q=Quan. used  
 C=Interchangeability S=Stocking code: A=Fast moving B=Med. fast C=Med. move D=Slow move  
 E=N.L.A. F=Superceded or replaced by a new part

**FIG.3 RECOIL STARTER**





**FIGURE 3**

**THB-300 PARTS LISTING**

REF.	PART NO.	PART DESCRIPTION	Q	C	S	SERIAL NO.	REMARKS
0-1	762-01251-900	STARTER,RECOIL ASS'Y	1		D	~G034550	
0	762-0136U-901	STARTER,RECOIL ASS'Y	1		C	G034551~	
1-1	772-01251-200	BODY,RECOIL STARTER	1		D		
2-1	769-01250-200	PULLEY,STARTER	1		C		
3-1	779-01250-200	SPRING,RECOIL	1		B		
4-1	788-01250-200	PAWL,STARTER	1		D		
5-1	837-06092-200	PLATE,FRICITION	1		D		
6-1	836-06092-200	SPRING,FRICITION	1		D		
7-1	832-01250-200	SPRING,RETURN	1		D		
8-1	990-15050-121	SCREW,5X12	1		A		
9-1	783-01250-200	ROPE,STARTER,3.5X850	1		D		
12-1	785-01620-200	HANDLE,STARTER	1		C		
14-1	795-01620-200	SEAL,HANDLE KNOB	1		D		
1	772-0136U-201	BODY,STARTER	1		D	~M033150	
1	772-0136U-80	BODY,STARTER	1		D	M033151~	
2	779-0136U-200	SPRING,RECOIL	1		C		
3	774-0162V-200	REEL,STARTER ROPE	1		B		
4	801-0162V-200	WASHER,ROPE REEL	1		D		
5	990-15050-121	SCREW,5X12	1		A		
6	783-0136U-200	ROPE,STARTER	1		C		
7	782-06097-200	RECEIVER,ROPE	1		D	~M033150	
8	785-01620-200	HANDLE,STARTER	1		C		
9	795-01620-200	SEAL,HANDLE KNOB	1		D		

\* Indicates the part is included in a kit or assembly and is not available individually. Q=Quan. used C=Interchangeability S=Stocking code: A=Fast moving B=Med. fast C=Med. move D=Slow move E=N.L.A. F=Superceded or replaced by a new part

# FIG.4 AIR CLEANER

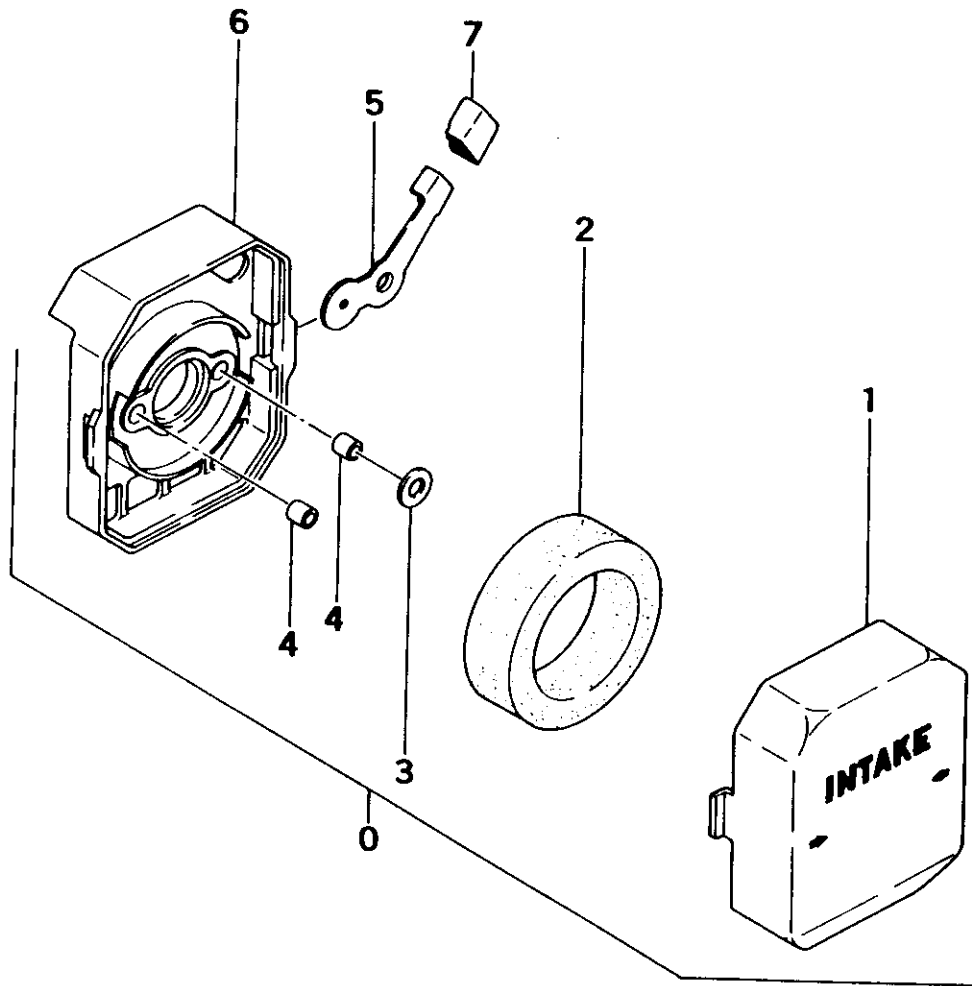


FIGURE 4

## THB-300 PARTS LISTING

REF.	PART NO.	PART DESCRIPTION	Q	C	S	SERIAL NO	REMARKS
0	410-31302-900	CLEANER,AIR ASS'Y	1		C		
1	424-0602K-201	CAP,CLEANER	1		A		
2	445-00601-201	ELEMENT,CLEANER	1		B		
3	453-0602K-200	COLLAR	1		C		
4	470-0602K-200	COLLAR	2		D		
5	528-01251-200	LEVER,CHOKE	1		D		
6	423-0602K-210	BODY,CLEANER	1		C		
7	532-01251-200	CAP,CHOKE LEVER	1		D		

**FIG.5 CARBURETOR**

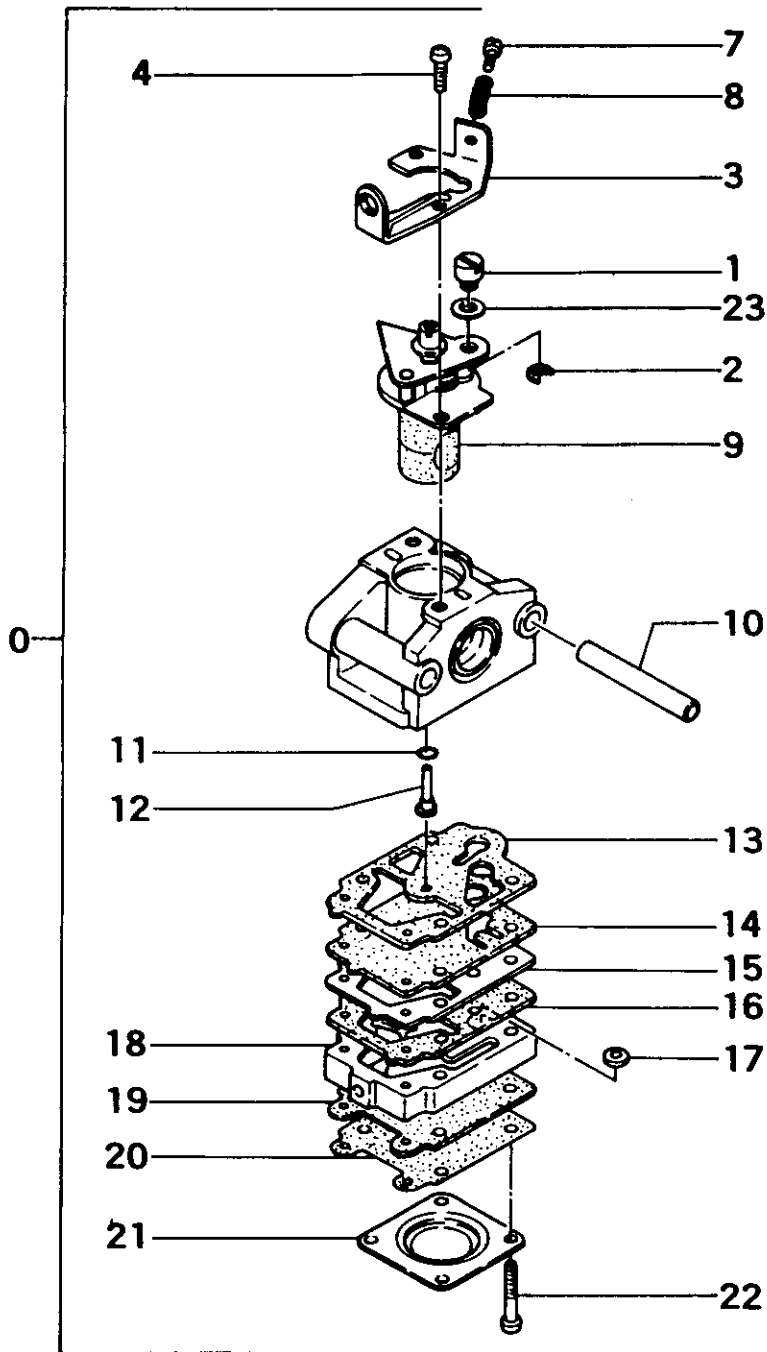


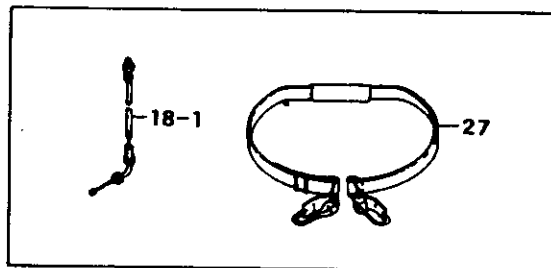
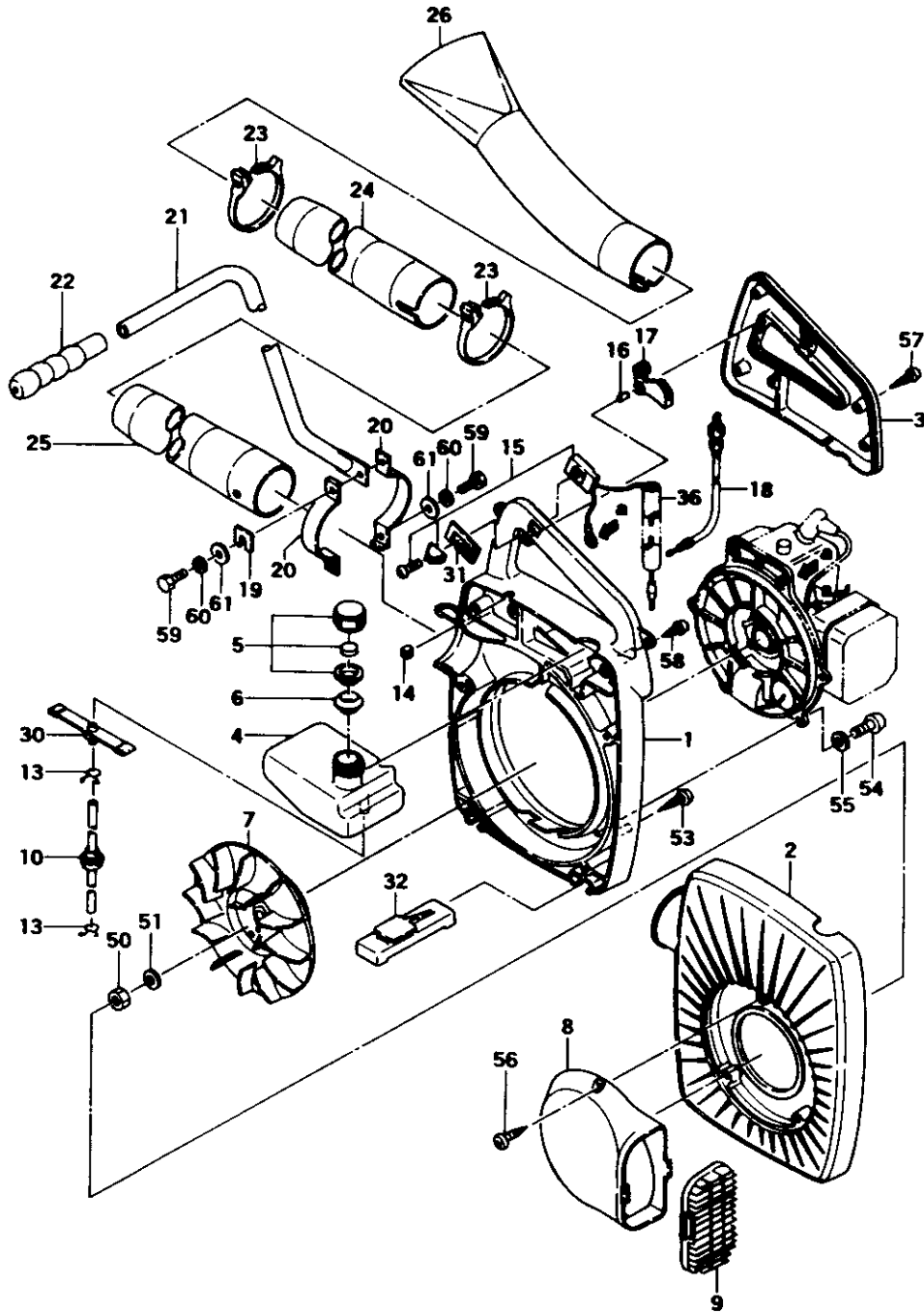
FIGURE 5

THB-300 PARTS LISTING

REF.	PART NO.	PART DESCRIPTION	Q	C	S	SERIAL NO.	REMARKS
0	455-25104-900	CARBURETOR,ASS'Y	1		D		
1	539-25101-200	SWIVEL	1		D		
2	489-25100-200	RING,STOP	1		D		
3	544-25100-200	STAY,ADJUST	1		D		
4	514-25100-200	SCREW,THROTTLE SET	2		D		
7	462-25100-20	SCREW,IDLE ADJUST	1		D		
8	463-25100-200	SPRING,IDLE ADJUST	1		D		
9	488-25100-800	VALVE,THROTTLE	1		D		
10	437-25100-200	SLEEVE	2		D		
11	550-25100-200	O-RING	1		C		
12	599-2000W-460	JET,MAIN,#46	1		D		* Contained in Carb. Repair Kit 650-25100-910 (Not available individually)
13	~~~	*GASKET,PUMP	1		B		
14	~~~	*DIAPHRAGM,PUMP	1		B		
15	523-25100-201	PLATE,PUMP	1		C		
16	522-25100-200	PLATE,CIRCUIT	1		C		
17	~~~	*SCREEN,INLET	1		C		
18	575-25100-800	BODY,PUMP	1		D	~J045880	
18	575-25104-800	BODY,PUMP	1		D	J045881~	
19	~~~	*GASKET,DIAPHRAGM	1		A		
20	~~~	*DIAPHRAGM,METERING	1		A		
21	476-25004-200	COVER,DIAPHRAGM	1		D		
22	548-25101-200	SCREW,SET	4		D		
23	549-25100-200	WASHER,THRUST	1		D		

\* Indicates the part is included in a kit or assembly and is not available individually. Q=Quan. used C=Interchangeability S=Stocking code: A=Fast moving B=Med. fast C=Med. move D=Slow move E=N.L.A. F=Superseded or replaced by a new part

# FIG.6 BLOWER



**FIGURE 6**

**THB-300 PARTS LISTING**

REF.	PART NO.	PART DESCRIPTION	Q	C	S	SERIAL NO.	REMARKS
1	010-31302-800	CASE,FAN	1		D		
2	011-31302-200	CASE,FAN,S	1		D		
3	248-31302-200	GRIP	1		D		
4	591-31302-200	TANK,FUEL	1		D		
5	595-31302-900	CAP,TANK ASS'Y	1		B		
6	630-35500-200	GASKET,TANK CAP	1		C		
7	155-21724-801	ROTOR,MAGNETO	1		D		
8	051-31302-200	INTAKE,AIR	1		D		
9	050-31302-201	COVER,PROTECTION	1		C		
10	223-01251-901	PIPE,FUEL,3X5X230	1		C	~J045880	
10	223-05015-900	PIPE,FUEL,3X5X280	1		B	J045881~	
13	680-04001-200	CLIP,5.2	2		D		
14	204-01251-200	GROMMET	1		D		
15	156-01251-900	BUTTON,STOP,ASS'Y	1		D		
16	993-24050-160	PIN,SPRING,5X16	1		D		
17	263-31302-200	LEVER,THROTTLE	1		D		
18	885-01251-810	WIRE,THROTTLE	1		D		
19	435-31302-200	SPACER,HANDLE	1		D		
20	422-31302-800	BRACKET,FIXING	2		C		
21	424-31302-800	HANDLE	1		D		
22	055-32130-200	GRIP,HANDLE	1		B		
23-1	267-31302-200	BAND,FIXING	2		D	~N214960	
23	466-31302-20	BAND,HOSE,70MM	1		D	N214961~	
24	305-31302-200	PIPE,STRAIGHT,A	1		C		
25	269-31302-200	PIPE,STRAIGHT B	1		D		
26	273-31302-200	HEAD,FAN	1		C		
27	034-31302-801	HARNES,SHOULDER	1		D		Optional
30	675-0608A-900	FILTER,FUEL	1		A		
31	925-32505-200	DECAL,STOP BUTTON	1		D		
32	428-31302-200	STAND	2		B		
36	279-11016-005	TUBE,PROTECTION	1		D		
50	991-11100-011	NUT,10	1		C		
51	992-10100-012	WASHER,S,10	1		B		
53	993-41050-301	SCREW,HL,5X30	4		D		
54	990-11050-181	SCREW,5X18	6		B		
55	992-10050-012	WASHER,S,5	6		A		
56	993-11050-201	SCREW,TAPPING,5X20	3		D		
57	993-41040-201	SCREW,HL,4X20	5		D		

\* Indicates the part is included in a kit or assembly and is not available individually. Q=Quan. used C=Interchangeability S=Stocking code: A-Fast moving B=Med. fast C=Med. move D=Slow move E=N.L.A. F=Superseded or replaced by a new part

FIGURE 6 cont.

**THB-300 PARTS LISTING**

REF.	PART NO.	PART DESCRIPTION	Q	C	S	SERIAL NO.	REMARKS
58	993-41050-401	SCREW,H.L.,5X40	3		D		
59	990-21060-201	BOLT,6X20	2		C		
60	992-10060-012	WASHER,S,6	2		A		
61	992-01060-011	WASHER,6	2		A		

\* Indicates the part is included in a kit or assembly and is not available individually. Q=Quan. used C=Interchangeability S=Stocking code: A-Fast moving B=Med. fast C=Med. move D=Slow move E=N.L.A. F=Superceded or replaced by a new part

# FIG.7 TOOLS

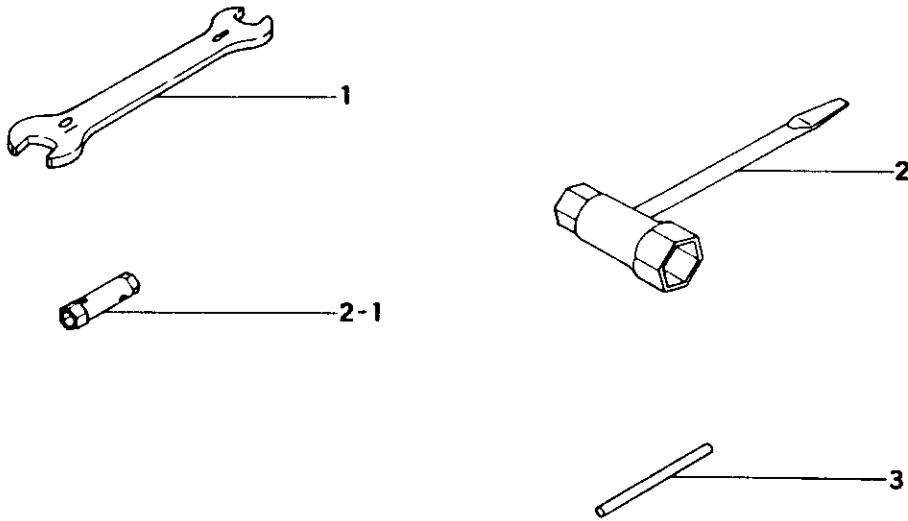


FIGURE 7

## THB-300 PARTS LISTING

REF.	PART NO.	PART DESCRIPTION	Q	C	S	SERIAL NO	REMARKS
1	801-20000-200	SPANNER,8X10	1		D		
2-1	823-20000-201	SPANNER,BOX,17X21	1		D	~E239000	
2	883-32600-200	SPANNER,COMBO	1		D	E239001~	
3	951-20000-200	HANDLE,8X120	1		D		



# FIG.8 MARKS

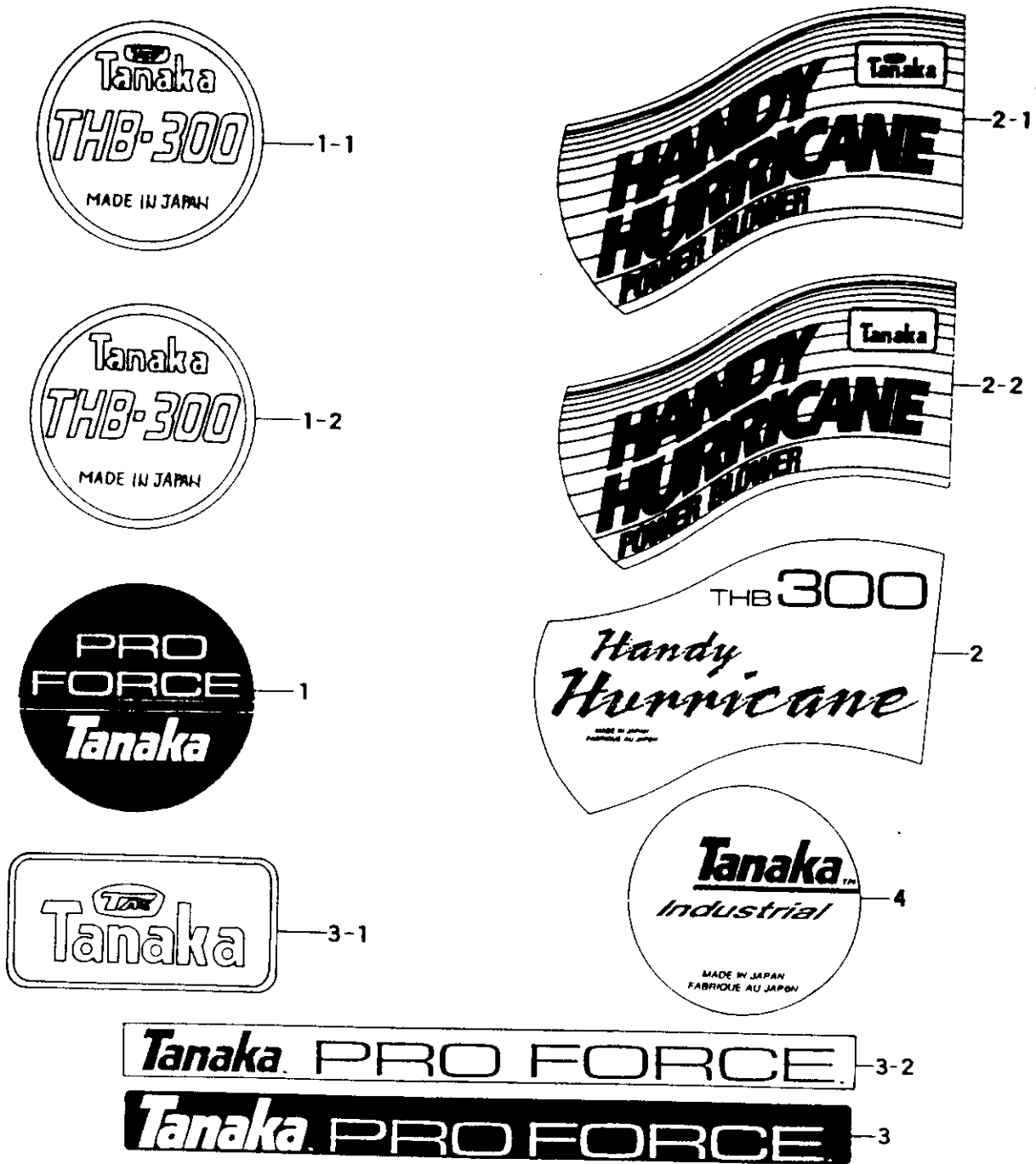


FIGURE 8

## THB-300 PARTS LISTING

REF.	PART NO.	PART DESCRIPTION	Q	C	S	SERIAL NO	REMARKS
1-2	906-31302-201	DECAL,THB-300	1		D	~J045880	
1-1	950-37900-200	DECAL,PRO-FORCE A	1		C	~K246500	
1	929-3210A-200	DECAL,INDUSTRIAL	1		D	K246501~	
2-2	928-31302-201	DECAL	1		D	~J045880	
2-1	906-31302-210	DECAL	1		D	~K246500	
2	906-31303-200	DECAL,INDUSTRIAL	1		D	K246501~	
3-3	929-31302-200	DECAL	1		D	~J045880	
3-2	951-31310-200	DECAL,PRO-FORCE B	1		D	~K080211	
3-1	951-31310-200	DECAL,PRO-FORCE B	1		D	~K246500	
3	929-31303-200	DECAL,INDUSTRIAL	1		D	K246501~	
10	920-0650A-20	DECAL,WARNING	1		D	N214961~	